

24-Bit, 192kHz立体声D/A转换器

FEATURES

- 支持多种音频数字输入格式, 最大支持24-bit字节
- 可自动检测采样频率, 最高192kHz
- 105dB动态范围
- -90dB THD+N
- 集成多比特位的 Δ - Σ 调制器
- 支持3.3V/5V单电源供电
- 具有强抗时钟抖动能力
- 内部集成输出滤波
- 集成数字去重, 外部无需SCLK
- 输出pop声抑制
- MSOP10封装

APPLICATIONS

- 音响 · DVD · 电视机
- 机顶盒 · 数码相框 · 家庭影院

DESCRIPTION

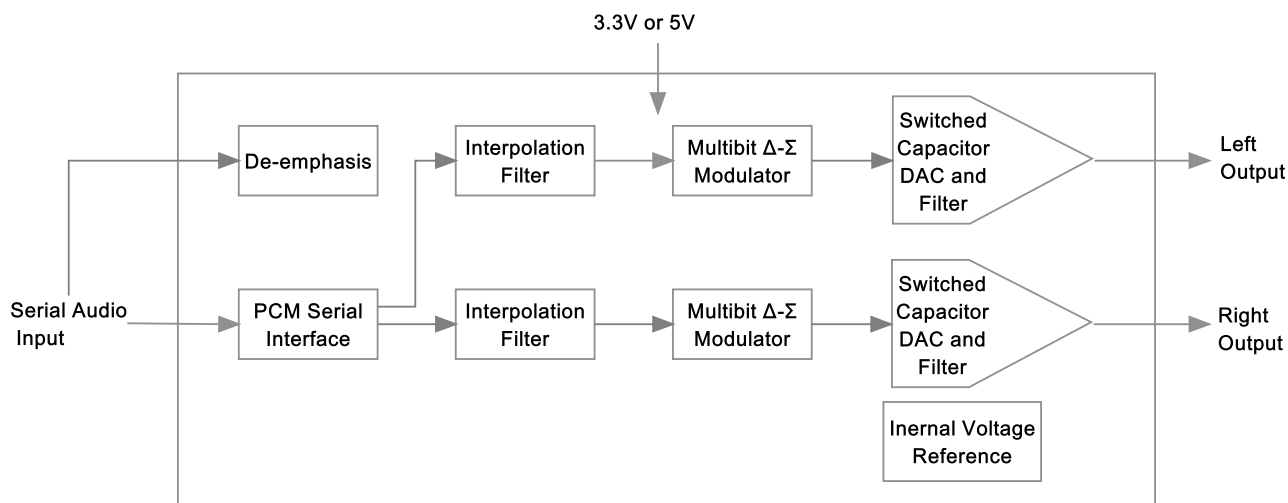
HT5010/1/2系列产品是一款低成本的立体声DA转换器, 内部集成了内插滤波器、DA转换器和输出模拟滤波等电路。其可支持多种音频数字输入格式, 最大支持24-bit字节。

该系列产品基于一个多比特位的 Δ - Σ 调制器, 将数字信号转化成两个声道的模拟信号并经过模拟滤波器滤波。该 Δ - Σ 调制器对时钟抖动的敏感度很低, 且在带宽范围外具有极低的噪声。其还可使用采样率和主时钟比作为自采样率(2kHz – 200kHz), 从而实现自动检测采样频率的功能。

该系列产品还集成了数字去重, 3.3V/5V单电源供电, 无需外部SCLK, 简化了外围电路, 适用于DVD、数字电视、家庭影院、机顶盒等。

该系列产品为MSOP10封装。

BLOCK DIAGRAM



24-Bit, 192kHz Stereo D/A Converter

■ FEATURES

- Multiple audio data interface formats, up to 24-bit
- Automatically Detects Sample Rates up to 192kHz
- 105dB Dynamic Range
- -90dB THD+N
- Multi-bit Delta-Sigma Modulator
- 3.3V or 5V Single Power Supply
- Low Clock-Jitter Sensitivity
- Filtered Line-Level Outputs
- On-chip Digital De-emphasis
- Output pop-noise Minimization
- Small 10-pin MSOP Package

■ APPLICATIONS

- Speakers · TV sets
- DVD Player · Set top box
- Digital Photo Frame · DVD recorder
- Home theater · Automotive audio system

■ DESCRIPTION

The HT5010/1/2 family is a low-cost stereo digital to analog converter, including interpolation, multibit D/A conversion and output analog filtering in a 10-pin package.

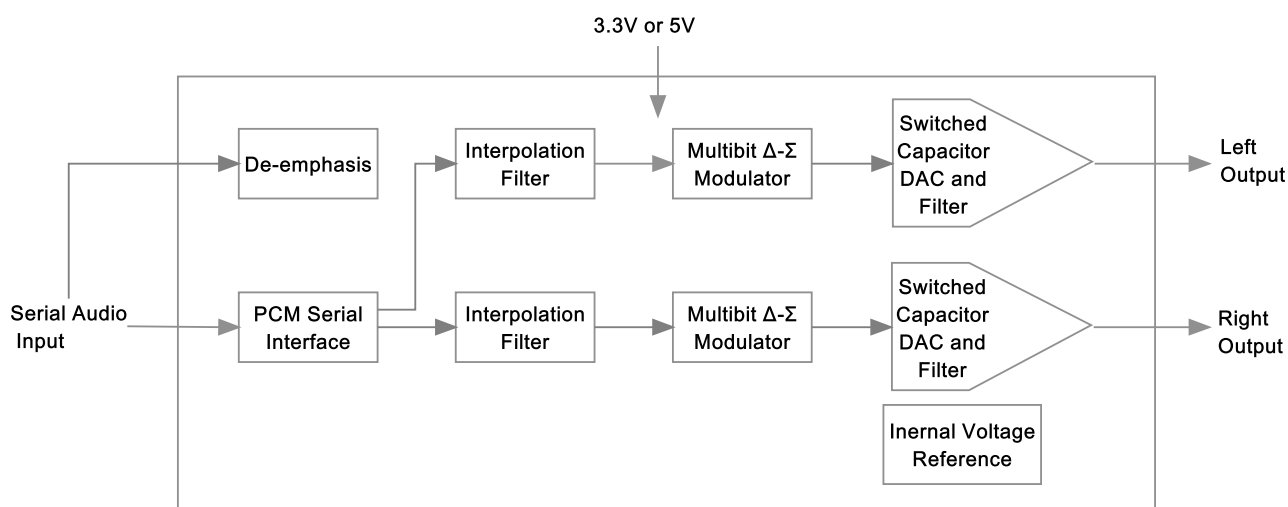
The device family can accept multiple audio formats up to 24-bit word length.

The device family is based on an advanced multi-bit Δ - Σ modulator to convert data into two channel analog outputs with a linear analog low-pass filter. The multi-bit Δ - Σ modulator makes the device with very low sensitivity to clock jitter and very low out-of-band noise. It also includes auto speed mode detection using both sample rate and master clock ratio as a method of auto-selecting sampling rates between 2 kHz and 200 kHz.

The device family contains on-chip digital deemphasis, operates from a single +3.3V or +5V power supply, and requires minimal support circuitry. These features are ideal for DVD players & recorders, digital televisions, home theater and set top box products, and automotive audio systems.

The device family is available in a 10-pin MSOP package.

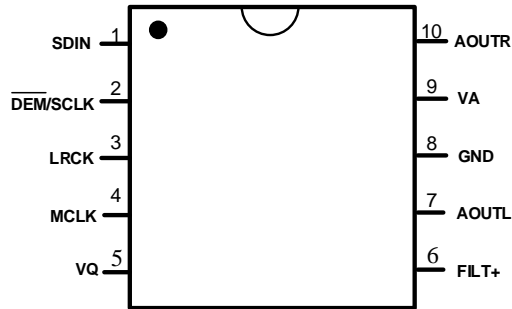
■ BLOCK DIAGRAM



Contents

■ FEATURES	1
■ APPLICATIONS.....	1
■ DESCRIPTION.....	1
■ BLOCK DIAGRAM	1
■ FEATURES	2
■ APPLICATIONS.....	2
■ DESCRIPTION.....	2
■ BLOCK DIAGRAM	2
■ TERMINAL CONFIGURATION	4
■ TERMINAL FUNCTION.....	4
■ ORDERING INFORMATION	5
■ ELECTRICAL CHARACTERISTICS.....	6
● Absolute Maximum Ratings	6
● Recommended Operating Conditions.....	6
● Dynamic Performance.....	6
● Analog Performance.....	6
● Combined Interpolation & on-chip analog filter response.....	7
● Digital Input Characteristics.....	7
● Power and Thermal Characteristics	7
● Serial Audio Interface Switching Characteristics	8
■ APPLICATION INFORMATION.....	10
1. <i>Master Clock</i>	11
2. <i>Serial Clock</i>	12
2.1. <i>External Serial Clock Mode</i>	12
2.2. <i>Internal Serial Clock Mode</i>	12
3. <i>De-Emphasis</i>	12
4. <i>Initialization and Power-down</i>	12
5. <i>Output Pop Noise Control</i>	13
5.1. <i>Powerup</i>	13
5.2. <i>Power-down</i>	14
6. <i>Grounding and Power Supply Decoupling</i>	14
7. <i>Analog Output and Filtering</i>	14
8. <i>Typical Application</i>	14
■ PACKAGE OUTLINE.....	15

■ TERMINAL CONFIGURATION



MSOP-10 Top View

■ TERMINAL FUNCTION

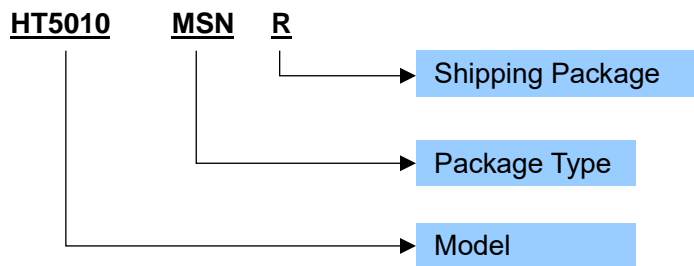
Terminal No.	NAME	I/O ¹	Description
1	SDIN	I	Serial audio data input.
2	DEM/SCLK	I	De-emphasis / external serial clock input
3	LRCK	I	Left right clock
4	MCLK	I	Master clock
5	VQ	O	Filter connection for internal quiescent voltage
6	FILT+	O	Positive reference voltage for the internal sampling
7	AOUTL	O	Left channel analog output
8	GND	G	Ground
9	VA	P	Analog power supply
10	AOUTR	O	Right channel analog output

¹ I: input O: output G: GNDP: Power

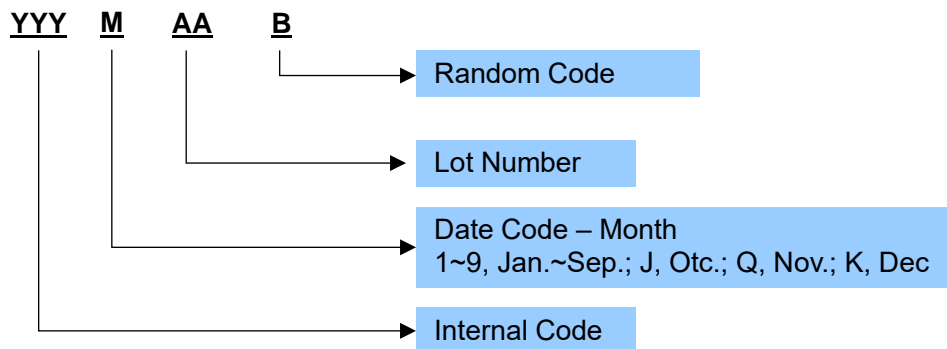
ORDERING INFORMATION

Part Number	Data Format	Package Type	Marking	Operating Temperature Range	Shipping Package / MOQ
HT5010MSNR	I ² S	MSOP-10	HT5010 YYYYMAAB ²	-40°C~85°C	Tape and Reel (R) / 5000pcs

Part Number



Production Tracking Code



² YYYYMAAB is production tracking code

IMPORTANT NOTICE
注意

Heroic Electronic Technology (Jiaxing) Co., Ltd (HT) reserves the right to make corrections, modifications, enhancements, improvements, and other changes to its products and services at any time and to discontinue any products or services. Customers should obtain the latest relevant information before placing orders and should verify that such information is current and complete.

禾润电子科技(嘉兴)股份有限公司(以下简称HT)保留对产品、服务、文档的任何修改、更正、提高、改善和其他改变,或停止提供任何产品和服务的权利。客户在下单和生产前应确保所得到的信息是最新、最完整的。

HT assumes no liability for applications assistance or customer product design. Customers are responsible for their products and applications using HT components.

HT对相关应用的说明和协助以及客户产品的板级设计不承担任何责任。

HT products are not authorized for use in safety-critical applications (such as life support devices or systems) where a failure of the HT product would reasonably be expected to affect the safety or effectiveness of that devices or systems.

HT的产品并未授权用于诸如生命维持设备等安全性极高的应用中。

The information included herein is believed to be accurate and reliable. However, HT assumes no responsibility for its use; nor for any infringement of patents or other rights of third parties which may result from its use.

本文中的相关信息是精确和可靠的,但HT并不对其负责,也不对任何可能的专利和第三方权利的伤害负责。

Following are URLs and contacts where you can obtain information or supports on any HT products and application solutions:

下面是可以联系到我公司的相关链接和联系方式:

禾润电子科技(嘉兴)股份有限公司**Heroic Electronic Technology (Jiaxing) Co., Ltd.**

地址: 浙江省嘉兴市凌公塘路3339号JRC大厦A座三层

Add: A 3rd floor, JRC Building, No. 3339, LingGongTang Road, Jiaxing, Zhejiang Province

Sales: 0573-82585539, sales@heroic.com.cn

Support: 0573-82586151, support@heroic.com.cn

Fax: 0573-82585078

Website: www.heroic.com.cn; wap.heroic.com.cn

Wechat MP: HEROIC_JX

请及时关注禾润官方微信公众号, 随时获取最新产品信息和技术资料!

